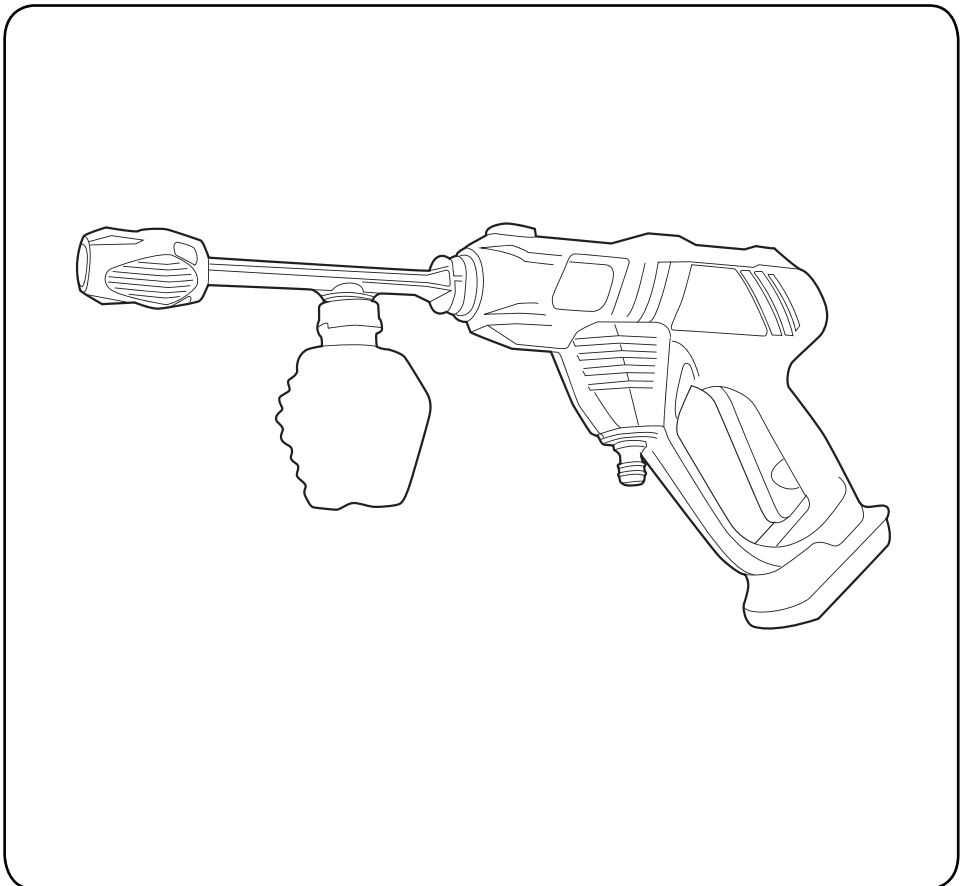


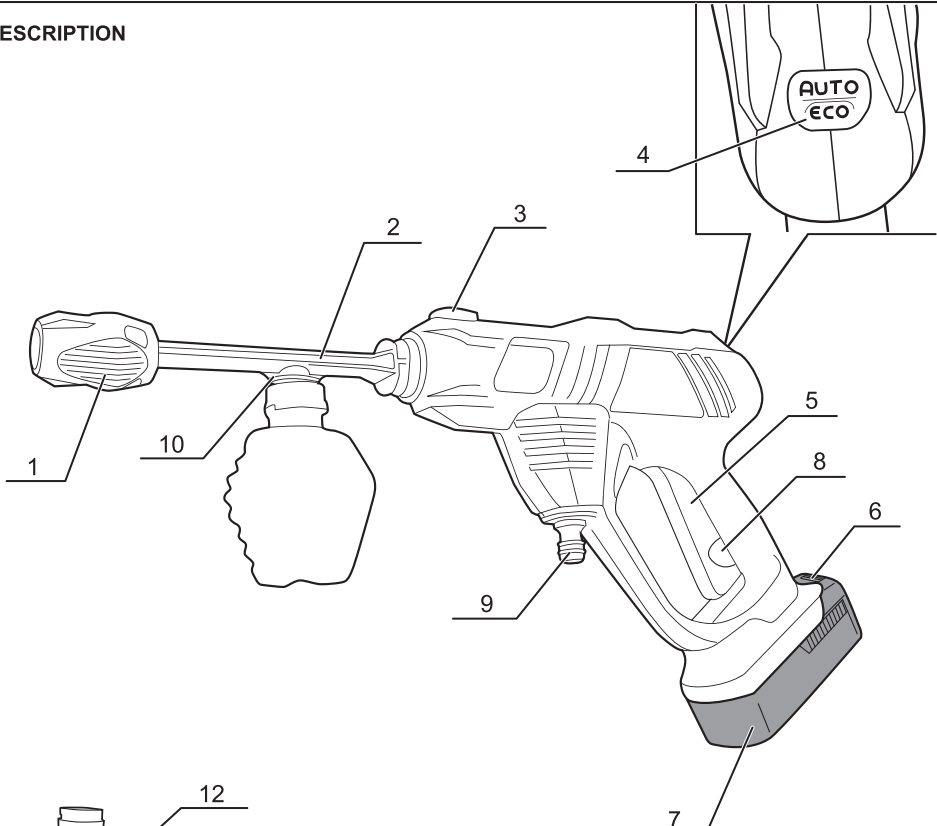


PWB40L1

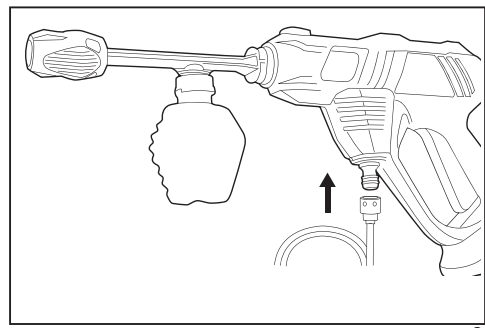
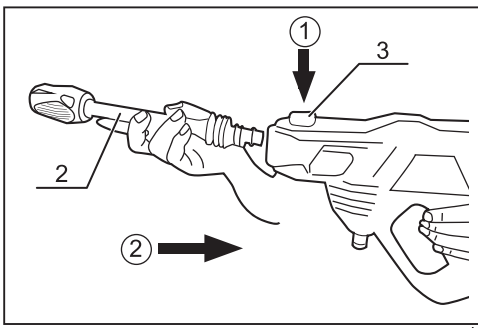
Operator's Manual

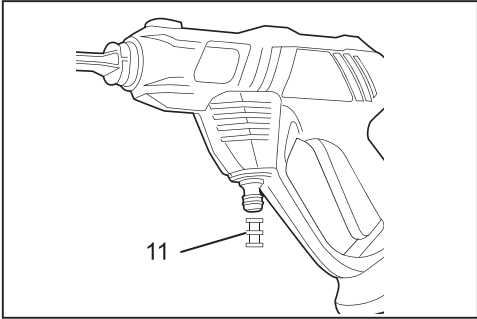


DESCRIPTION

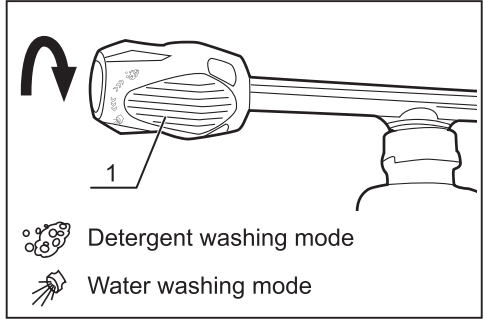


- | | |
|----------------------------|---------------------------|
| 1. Spray nozzle outer ring | 7. Battery pack |
| 2. Lance | 8. Trigger switch lock |
| 3. Lance locking button | 9. Water inlet |
| 4. Auto/Eco mode selector | 10. Soap bottle lock clip |
| 5. Trigger switch | 11. Water inlet filter |
| 6. Battery clip | 12. Soap bottle |

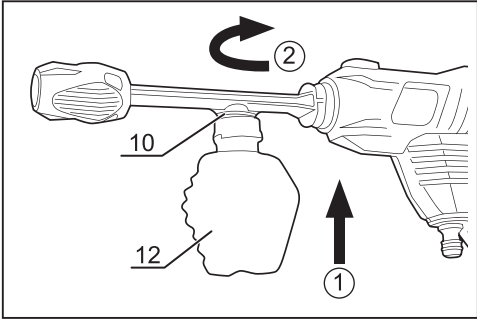




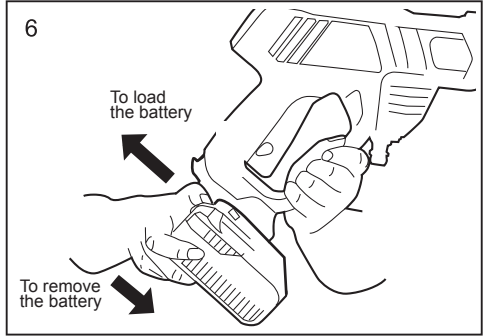
3



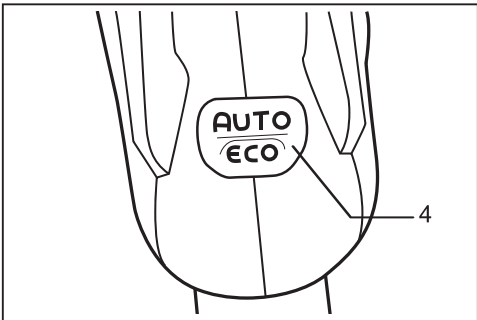
4



5



6



7

THANK YOU FOR BUYING OUR PRODUCT

To ensure your safety and satisfaction, carefully read through this Operator's Manual before using the product.

General Power Tool Safety Warnings

⚠ WARNING! Read all safety warnings and all instructions.

Failure to follow the warnings and instructions may result in electric shock, fire and/or serious injury.

Save all warnings and instructions for future reference.

The term "power tool" in the warnings refers to your (corded) power tool or battery-operated (cordless) power tool.

1) Work area safety

- a) **Keep children and bystanders away while operating the pressure washer.**

2) Electrical safety

- a) **The battery charger plug must match the outlet. Never modify the plug in any way.** Unmodified plugs and matching outlets will reduce risk of electric shock.
- b) **Never spray near a power source such as an electrical outlet or wiring.** Making contact with a power source could cause an electric shock or burn.
- c) **Never touch the electric plug with wet hands.**

3) Personal safety

- a) **Stay alert, watch what you are doing and use common sense when operating. Do not use while you are tired or under the influence of drugs, alcohol or medication.** A moment of inattention while operating the pressure washer may result in serious personal injury.
- b) **Use personal protective equipment. Always wear eye protection.** Protective equipment such as dust mask, non-skid safety shoes, hard hat, or hearing protection used for appropriate conditions will reduce personal injuries.
- c) **Prevent unintentional starting. Ensure the switch is in the off-position before operating.**
- d) **Do not overreach. Keep proper footing and balance at all times.** This enables better control of the power tool in unexpected situations.
- e) **Pressure washer can create puddles and slippery surfaces.** Never wear sandals, always wear protective footwear. Do not operate from a ladder, scaffolding, or uneven surface as recoil from spray gun could cause you to fall.
- f) **Never operate this unit if there are any broken or missing parts and only use Pulsar Equipment replacement parts specifically designed for this unit.**
- g) **Never operate pressure washer unless all components are connected properly and securely.** Make sure the spray gun, nozzle, and accessories are attached correctly.
- h) **Inspect hoses and connections making sure they are secure before starting.**
- i) **Dress properly. Do not wear loose clothing or jewelry. Keep your hair, clothing and gloves away from moving parts.** Loose clothes, jewellery or long hair can be caught in moving parts.

- j) **To reduce the risk of injection, injury or possible amputation, never direct water pressure towards people or pets.** Never touch the nozzle or water spray while operating.
- k) **This unit is not a toy. Keep unit away from children and pets.**

4) Power tool use and care

- a) **Do not force the power tool. Use the correct power tool for your application.** The correct power tool will do the job better and safer at the rate for which it was designed.
- b) **Do not use the power tool if the switch does not turn it on and off.** Any power tool that cannot be controlled with the switch is dangerous and must be repaired.
- c) **Disconnect the plug from the power source and/or the battery pack from the power tool before making any adjustments, changing accessories, or storing power tools.** Such preventive safety measures reduce the risk of starting the power tool accidentally.
- d) **Store idle power tools out of the reach of children and do not allow persons unfamiliar with the power tool or these instructions to operate the power tool.** Power tools are dangerous in the hands of untrained users.
- e) **Maintain power tools. Check for misalignment or binding of moving parts, breakage of parts and any other condition that may affect the power tool's operation. If damaged, have the power tool repaired before use.** Many accidents are caused by poorly maintained power tools.
- f) **Keep cutting tools sharp and clean.** Properly maintained cutting tools with sharp cutting edges are less likely to bind and are easier to control.
- g) **Use the power tool, accessories in accordance with these instructions, taking into account the working conditions and the work to be performed.** Use of the power tool for operations different from those intended could result in a hazardous situation.

5) Battery tool use and care

- a) **Recharge only with the charger specified by the manufacturer.** A charger that is suitable for one type of battery pack may create a risk of fire when used with another battery pack.
- b) **Use power tools only with specifically designated battery packs.** Use of any other battery packs may create a risk of injury and fire.
- c) **When battery pack is not in use, keep it away from other metal objects, like paper clips, coins, keys, nails, screws or other small metal objects, that can make a connection from one terminal to another.** Shorting the battery terminals together may cause burns or a fire.

6) Service

- a) **Have your power tool serviced by a qualified repair person using only identical replacement parts.** This will ensure that the safety of the power tool is maintained.

Call our service department for service at 866-591-8921

INSTRUCTIONS FOR SAFE HANDLING

1. Make sure that the tool is only connected to the voltage marked on the name plate.
2. Never use the tool if its cover or any fasteners are missing. If the cover or bolts have been removed, replace them prior to use. Maintain all parts in good working order.
3. Always secure the tool when working in elevated positions.

ACCESSORIES :

1. The use of accessories or attachments other than those recommended in this manual might present a hazard.

REPLACEMENT PARTS :

1. When servicing use only identical replacement parts.

CORDLESS HIGH PRESSURE WASHER SAFETY PRECAUTIONS

1. Do not put the high pressure washer near any fire or any other high temperature sources.
2. Do not expose lithium battery pack to heat or fire and avoid storage in the direct sunlight.
3. Do not subject the lithium battery pack to any sort of impact.
4. Do not attempt to disassemble or open the lithium battery pack
5. Keep away from children.
6. Do not store a discharged lithium battery pack for an extended time. It is recommended to charge the lithium battery pack every three months when it is not in use for an extended time.
7. Ensure the battery charger is undamaged before charging a battery
8. Be sure to use the original charger.
9. Do not shoot water at equipment containing electrical components.
10. Do not let children or people with mental or behavioral disabilities use this product.
11. Discontinue use if the product falls to the ground, has visible damage or does not function properly.
12. The performance of lithium battery pack is best when temperature is (59°F-77°F).
13. Use a dry cloth to wipe product clean. Do not use water, gasoline, alcohol and other chemical solvents.

14. Clean the water inlet filter and water pipe filter regularly.
15. Do not use the supplied charger for any other device.
16. Do not charge at high temperature.
17. Charge only indoors and protect from rain.
18. Make sure water is always flowing through the pressure washer when operating. This will prevent damage to the motor.

DISPOSAL OF THE BATTERY

LITHIUM BATTERIES MUST BE RECYCLED

Contact your local recycling center for disposal of the battery.

SPECIFICATIONS

Voltage.....	40V DC
Water pressure.....	Auto: 520PSI Eco: 320PSI
Water flow.....	Auto: 0.67GPM Eco: 0.53GPM
Net weight.....	3.6 lbs

STANDARD ACCESSORIES

Soap bottle x1
2.0Ah 40V Lithium-Ion Battery x1
Battery Charger x1
360 degree nozzle x1
Long Lance x1
Plastic mesh bag x1
2 in 1 nozzle

ATTACHING AND DETACHING LANCE (FIG. 1)

NOTE:

Make sure the nozzle is pointing at the ground.

To attach:

Insert the lance into the gun body while pressing the lance locking button (3).

To detach:

Pull out the lance while pressing the lance locking button.

WARNING!

DO NOT POINT THE LANCE TOWARDS OTHER PEOPLE OR YOURSELF.

ATTACHING AND DETACHING WATER HOSE (FIG. 2)

NOTE:

To attach:

1. Check the water inlet filter is fitted in the water inlet, and it is not blocked.
2. Connect the water hose connector to the water inlet until it clicks.

To detach:

Hold the sleeve of the hose connector and pull down.

WATER INLET FILTER (FIG. 3)

The inlet filter must always be fitted in the water inlet to filter out sand, limestone and other impurities, as they will damage the pump valves.

Clean the water inlet filters regularly once a month or more frequently in accordance to use. Periodically check the filter in order to prevent clogging, which could jeopardize operation of the pump.

DETERGENT/WATER WASHING MODE (FIG. 4)

Note:

Before starting the washer, select the washing mode.

On the spray nozzle outer ring there's two modes for you to choose. Detergent and pressure mode.

Rotate the outer ring of nozzle and select the mode you want to use.

ATTACHING THE SOAP BOTTLE (FIG. 5)

Pour the detergent into the soap bottle (12), fit the bottle in the soap bottle lock clip (10) turn to tighten.

SWITCH

This tool is started and stopped by squeezing and releasing the trigger switch (5).

After use please press the trigger lock (8) to avoid accidental starting.

ATTACHING AND REMOVING BATTERY PACK (FIG. 6)

Align the body of the tool with the groove in the battery pack and push in the direction of the arrow until the battery pack is secured on the tool. To remove the battery pack from the tool, depress battery release and remove the battery pack in the direction of the arrow.

Always remove battery pack from the tool when you are assembling parts, making adjustments, cleaning, or when not in use. Removing battery pack will prevent accidental starting that could cause serious personal injury.

CLEANING AND MAINTENANCE

Tip: Please remove the battery from the tool before cleaning.

- Water inlet filter: Clean the filter regularly to prevent decrease in pressure or blockage.

STORING THE TOOL

Store the tool in a dry place that does not get 113°F or hotter. Avoid places that can be reached by children.

Pay attention to the following when storing the battery pack for an extended period of time.

- Store lithium ion batteries when they are charged.
- Avoid high temperatures. Do not store for an extended period of time in places that are 113°F or hotter.
- Do not store in places that are 32°F or colder.
- Do not store in places that are near heat sources or places that are subject to direct sunlight.
- Store in a dry place.
- Take care not to drop the tool or subject it to strong vibration. moving it.
- In order to avoid short circuits, do not allow it come in contact with metal objects.
- Remove battery pack from charger for storage
- Unplug the battery after each use, then drain the remaining water inside the tool before storing.

LIMITED WARRANTY

Pulsar Products, Inc. warrants to the original purchaser who uses the product in a consumer application (personal, residential or household usage) that all products covered under this warranty are free from defects in material and workmanship for three years from date of purchase. All products covered by this limited warranty which are used in commercial applications (i.e. income producing) are warranted to be free of defects in material and workmanship for 90 days from the date of original purchase. Products covered under this warranty include air compressors, air tools, service parts, pressure washers and generators.

Pulsar Products, Inc. will repair or replace, at Pulsar Products, Inc.'s sole option, products or components which have failed within the warranty period. Service will be scheduled according to the normal work flow and business hours at the service center location, and the availability of replacement parts. All decisions of Pulsar Products, Inc. with regard to this limited warranty shall be final.

This warranty gives you specific legal rights, and you may also have other rights which vary from state to state.

RESPONSIBILITY OF ORIGINAL PURCHASER (initial User):

To process a warranty claim on this product, DO NOT return item to the retailer. The product must be evaluated by an Authorized Warranty Service Center.

Call: 1-866-591-8921

Retain your original sales receipt as proof of purchase for any warranty work.

Use reasonable care in the operation and maintenance of the product as described in the Operator's Manual.

Deliver or ship the product to the Authorized Warranty Service Center. Freight costs, if any must be paid by the purchaser.

If the purchaser does not receive satisfactory results from the Authorized Warranty Service Center, the purchaser should contact Pulsar Products, Inc.

LIMITED WARRANTY (cont'd)

THIS WARRANTY DOES NOT COVER:

- Merchandise sold as reconditioned, used as rental equipment, or floor or display models.
- Merchandise that has become damaged or inoperative because of ordinary wear, misuse, cold, heat, rain, excessive humidity, freeze damage, use of improper chemicals, negligence, accident, failure to operate the product in accordance with the instructions provided in the Operator's Manual supplied with the product, improper maintenance, the use of accessories or attachments not recommended by Pulsar Products, Inc., or unauthorized repair or alterations.
- Repair and transportation costs of merchandise determined not to be defective.
- Costs associated with assembly, required oil, adjustments or other installation and start-up costs.
- Expendable parts or accessories supplied with the product which are expected to become inoperative or unusable after a reasonable period of use.
- Merchandise sold by Pulsar Products, Inc. which has been manufactured by and identified as the product of another company, such as gasonline engines. The product manufacturer's warranty, if any, will apply.
- ANY INCIDENTAL, INDIRECT OR CONSEQUENTIAL LOSS, DAMAGE, OR EXPENSE THAT MAY RESULT FROM ANY DEFECTS, FAILURE OR MALFUNCTION OF THE PRODUCT IS NOT COVERED BY THIS WARRANTY. Some states do not allow this exclusion, so it may not apply to you.
- IMPLIED WARRANTIES, INCLUDING THOSE OF MERCHANTABILITY OR FITNESS FOR A PARTICULAR PURPOSE, ARE LIMITED TO ONE YEAR FROM THE DATE OF ORIGINAL PURCHASE. Some states do not allow limitations on how long an implied warranty lasts, so the above limitations may not apply to you.



DO NOT RETURN TO STORE

For Technical Assistance Please Call 1-866-591-8921